



**PROCESS SOLUTIONS
YOU CAN COUNT ON**

ADJ-460 SERIES

AUTOMATIC LINK CONVEYOR

Features & Benefits

- Integrated welded sheet metal frame
- Conveyor width adjustable 50 – 460 mm (1.97"-18.11")
- Available in 0.5, 0.8 or 1.0 meter lengths (19.69", 31.50" or 39.37")
- Optional LED UV (black light) Inspection Lighting

Product Description

ADJ-460 Series automatic link conveyors are ideal for a wide range of PCB handling applications and can optimize Work-In-Progress (WIP) material flow during assembly, coating, dispensing and other processes. Automate and / or customize your PCB assembly line with board conveyors, PCB loaders and unloaders, inspection conveyors, turn conveyors, flippers, inverters and more. Anda manufacture standard and custom board handling conveyors to improve and automate PCB assembly processes.

Optional feature on UV Inspection Station allows manual/visual inspection of conformally coating circuit assemblies.



ADJ-460



ADJ-460 UV

Specifications :

System Specifications

ADJ-460 / 460UV Automatic Link Conveyor

Transmission system	
Conveyor Type	Chain
Component Height Clearance	± 100 mm (± 3.93")
Board / Pallet Width	50 – 460 mm (1.96" – 18.11")
Process Flow	L to R
Conveyor Height	900 ± 20 mm (35.43" ± 0.79")
Conveyor Speed (XY)	0.5 – 5 m/min
Conveyor Width Adjustment	Manual
Motor	Speed motor and chain
Facility	
Standard Footprint	L 800 × W 875 × H 910 mm / H 915 mm (L 31.49" × W 34.44" × H 35.82" / H 36.02") L 800 × W 875 × H 1069 mm / H 1069 mm for UV (L 31.49" × W 34.44" × H 35.82" / H 42.08")
Input Power	AC 220 V 50/60 Hz
Power	0.1 KW
Interface	
Controller	Micro control unit and button
Communication Protocol	SMEMA

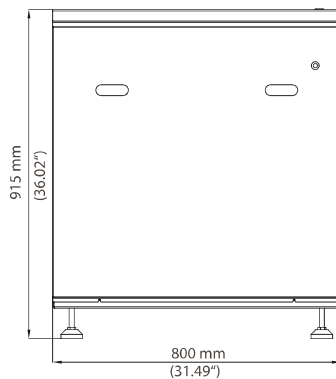
Standard Features

- Manual conveyor width adjustment
- Extruded aluminum conveyor rail
- Chain transfer
- Variable speed control
- Board handling import/output sensor
- SMEMA communication port
- CE certified

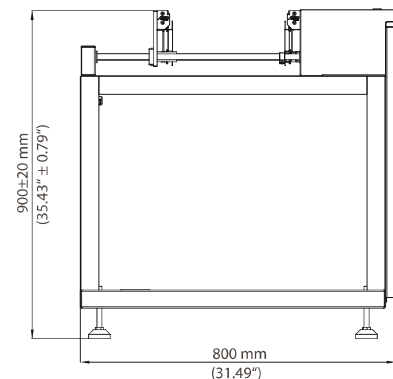
Optional Features

- UV inspection

ADJ-460

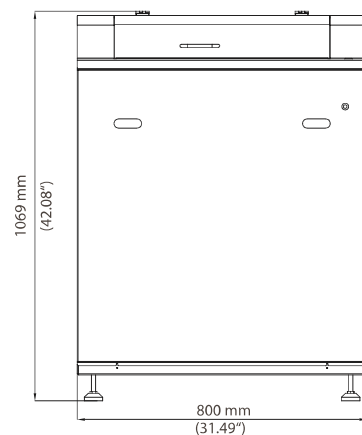


Front View

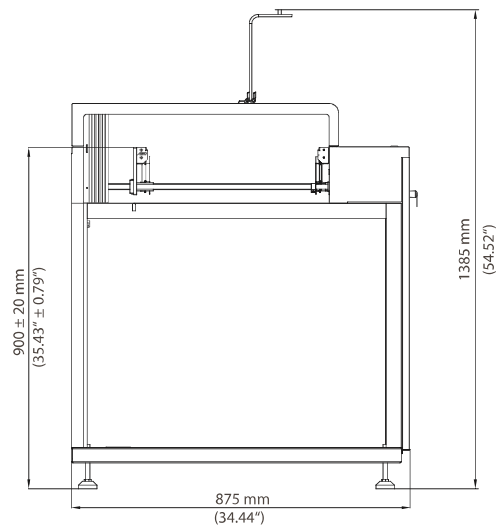


Side View

ADJ-460 UV



Front View



Side View