



**PROCESS SOLUTIONS  
YOU CAN COUNT ON**

## iCoat-3P SERIES

INLINE METERING AND MIXING MACHINE FOR POTTING APPLICATIONS

### Product Description

ANDA's iCoat-3P is an automated, XYZ (3-axes) gantry system designed for meter-mix dispensing of single or plural materials for a wide range of applications such as potting, encapsulation, dam & fill, bonding, sealing, molding, gasketing, thermal gap filler and reaction injection molding (RIM). The iCoat-3P pairs with the MPS-230, ANDA's two-component (2K) meter mix material preparation system for simultaneous material preparation, mix ratio, and material delivery control.

- Integrates with both inline automation and offline (standalone) batch process applications
- Improves manufacturing processes and eliminates material waste
- Robust steel structure smooth motion platform, ensures accuracy, repeatability, and a long equipment lifecycle
- Supports project file transfer or create project programs in real-time using the onboard system software for teaching
- Suitable for low-viscosity to paste-like reactive resins



HV-01 High-pressure Valve for RTV



SDV-20 Two-Component Static Mixing Valve

ANDA Technologies USA, Inc.  
info@anda.us  
+1 510 270 8648  
47639 Lakeview Boulevard, Fremont, CA 94538, USA



## Specifications :

### System Specifications

iCoat-3P Inline Metering and Mixing Machine for Potting Application

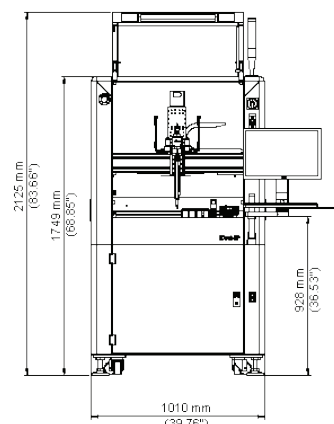
Board Handling	
Standard Work Area	X 410 mm (16.14") Y 450 mm (17.71")
Min. Conveyor Width	50 mm (1.96")
Max. Conveyor Width	450 mm (17.71")
Max. Component Height	160 mm (6.29")
PCB Edge Clearance	≥ 5 mm (≥ 0.19")
Process Flow	L to R (Standard), R to L (Optional)
Max. Conveyor Load	20 kg/m (44 lbs) with even distribution
Max. Conveyor Speed	13 m/min
Conveyor Height	900 ± 20 mm (35.43" ± 0.79")
Conveyor Width Adjustment	Motorized
Operation	
Gantry System	Servo Motors & Ball Screw
XY Max. Speed	200 mm/s
XY Repeatability	± 0.1 mm (± 0.0039")
Max. Load at Z axis	~ 10 kg (~ 22 lb)
Valve Configuration	Single Valve
Facility	
Footprint	L 1010 mm (39.76") W 1395 mm (54.92") H 1749 mm (68.85")
Weight	~670 kg (~1474 lbs)
Min. Air Supply	0.6 MPa (90 psi, 6 Bar)
Input Power	AC 220 V 50/60 Hz
Rated Power	2.2 kW
Standard Compliance	SMEMA, IPC, CE
Interface	
Controller	IPC & KMM
OS	Windows OS
Software	Anda Software
Programming	File Transfer & On-board Programming

### Standard Features

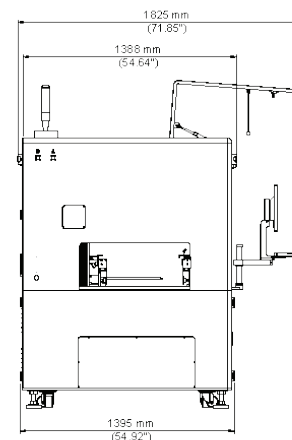
- Steel structure smooth motion platform
- Stainless steel interior
- Hatch door with observation window
- Single valve configuration (Standard)
- Auto dipping and purging waste collection
- Adjustable height pivoting computer arm
- Fluorescent inspection lighting (UV black light)
- Board presence sensors
- PCB clamping system
- UPS and voltage stabilizer
- USB communication ports
- Light tower beacon
- ESD grounding

### Optional Features

- CCD visual camera
- Barcode or 2D code scanner
- Variable size of mixing tube (< 300 mm)
- Return conveyor (underneath)



Front View



Side View